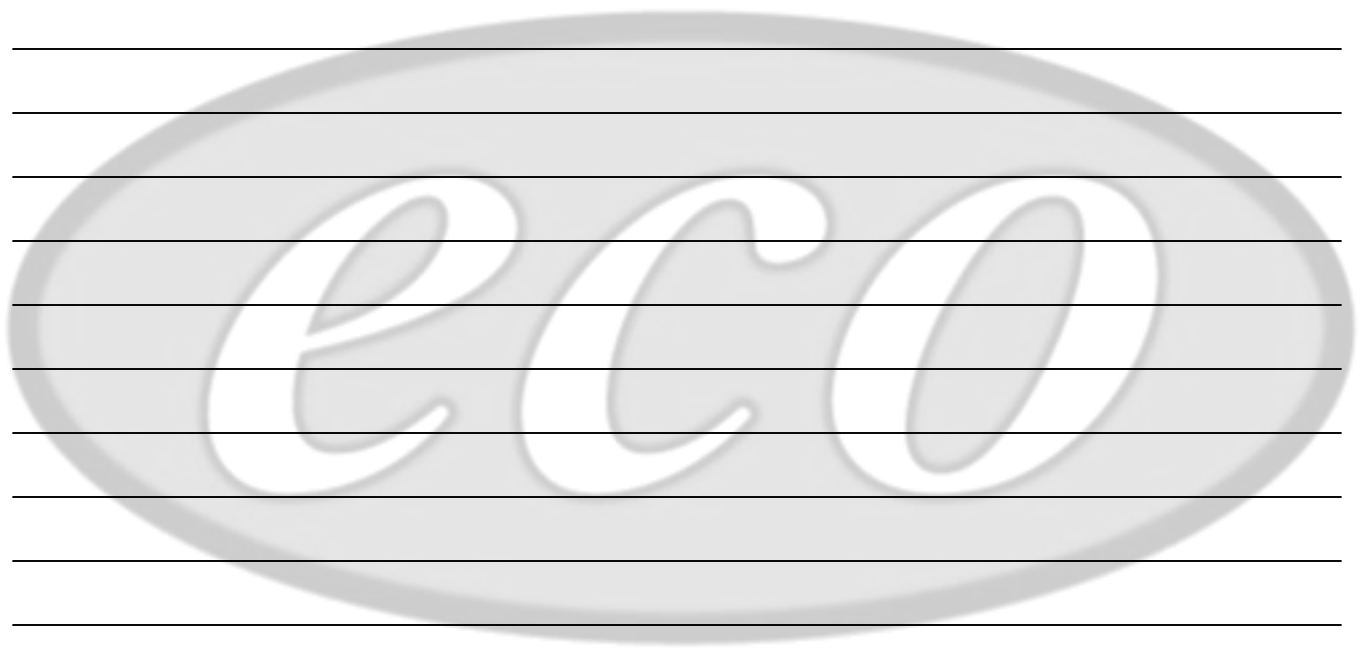




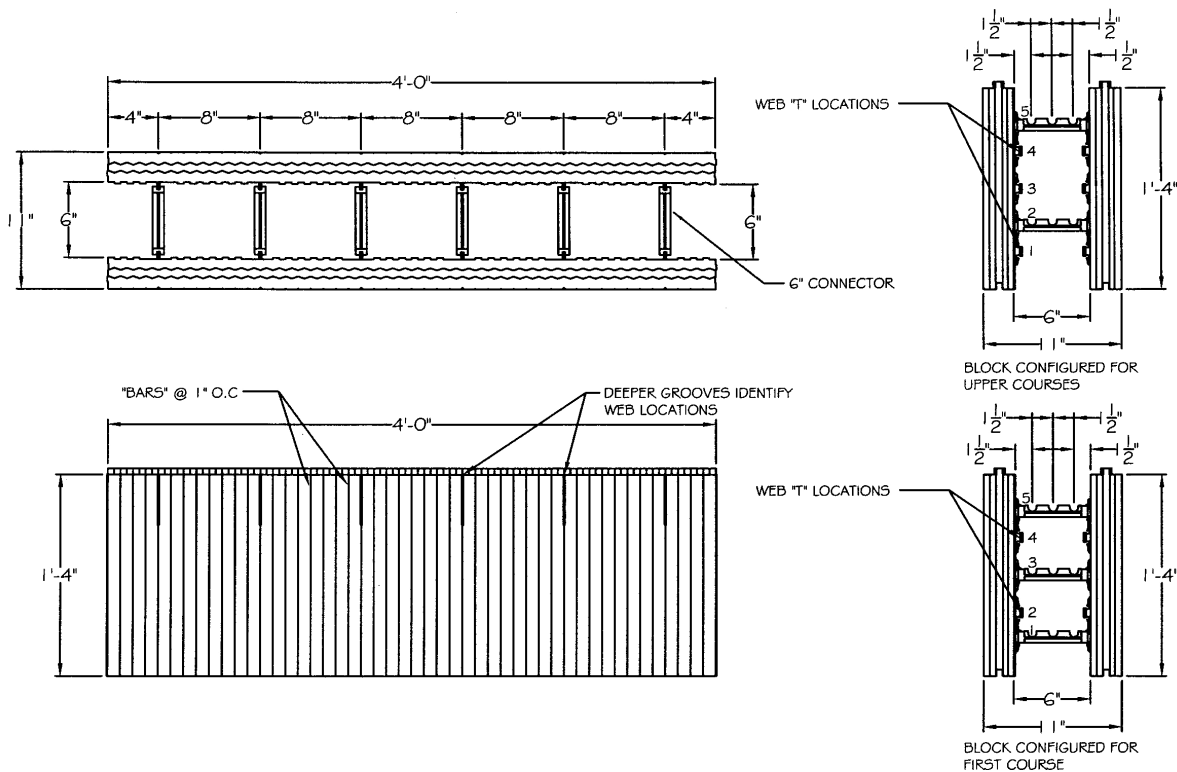
# **Installation Guidelines**





## Assembling and Cutting Standard System

The latching webs and connectors allow for quick and easy assembly of the forms. For the first course of forms, it is recommended that (3) rows of connectors be installed for a total of (18) per block in order to resist the pressure being exerted on the forms from the concrete. These connectors should be installed at the 1, 3, and 5 web "T" locations. Subsequent courses only require (2) rows of connectors be installed, for a total of (12) per block. These connectors should be installed at the 2 and 5 web "T" locations.



### **Technical Tip:**

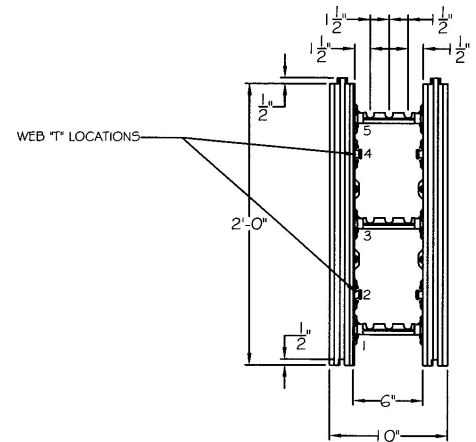
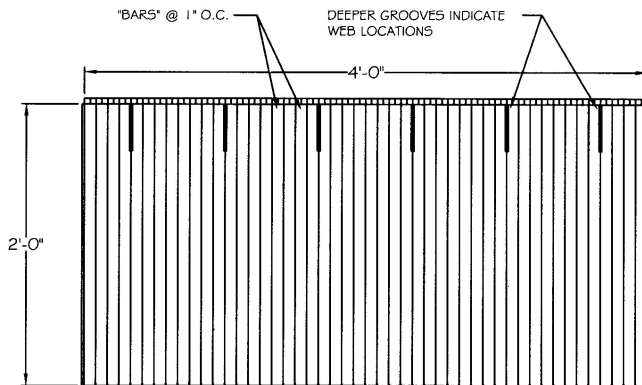
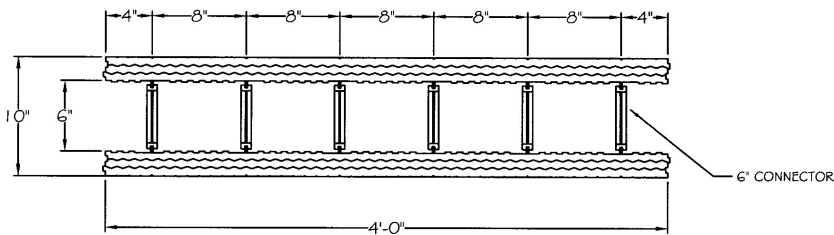
**Use 1<sup>st</sup> assembled block as a jig to assemble successive blocks.**

**More experienced builders may elect not to use (3) connectors on the bottom course.**



## Assembling and Cutting Commercial Block

The Commercial Block is assembled in the same manner as the Standard System. However, because of the increased size of the Commercial Block panels, (3) rows of connectors need to be installed on every course. These connectors should be installed at the 1, 3 and 5 web "T" locations.



### Note:

**The Commercial block requires (3) connectors per web on every course.**